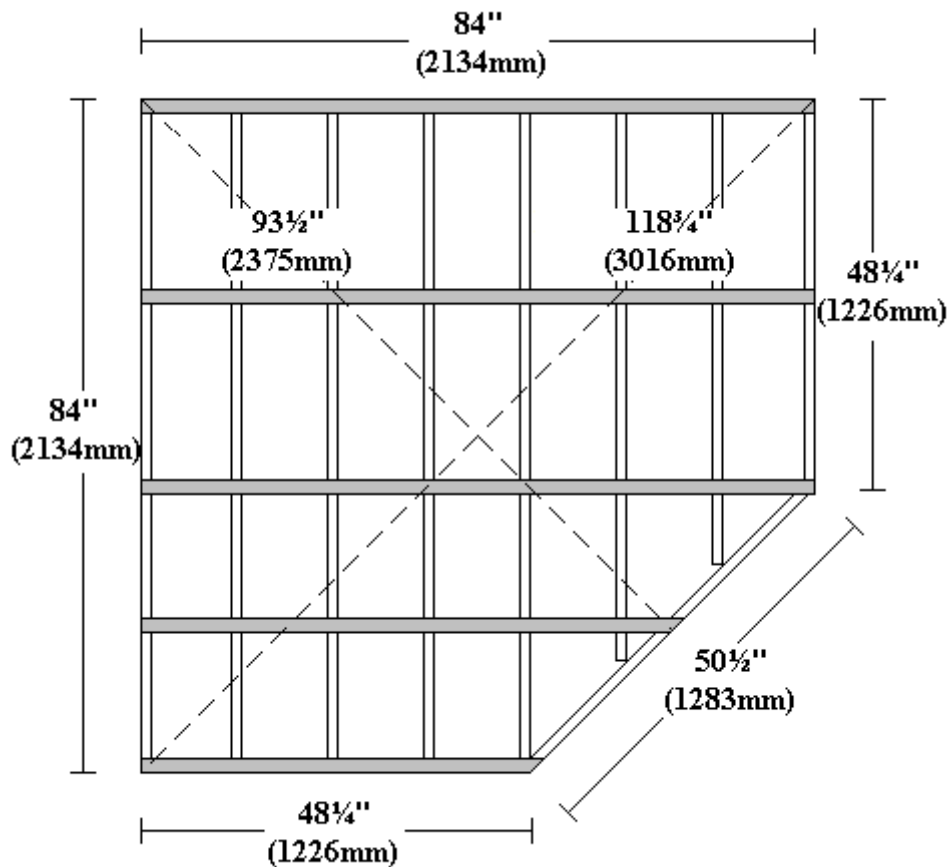




IMPORTANT: Please note that the Studio Corner requires a patio slab, concrete or timber decking foundation. It is essential that the base is completely level in all directions, otherwise windows and doors may not operate correctly. A minimum clearance of 450mm (18") must be available ALL around the building for installation purposes.

2.13m x 2.13m (7' x 7') Studio Corner



NB:- Floor joists run from right hand back to left hand front.
Optional Floor Bearers run from left hand back to right hand front.